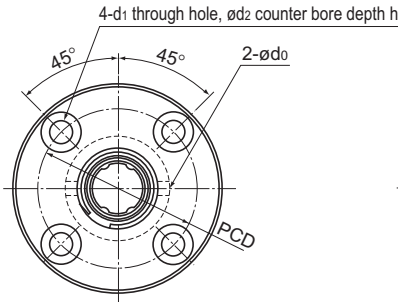
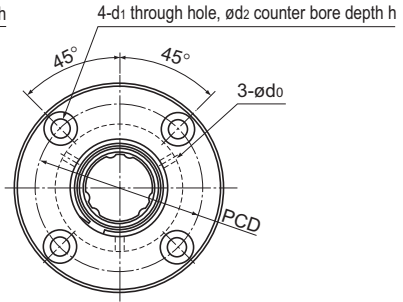


Model LF



Models LF6 to 13



Models LF16 to 60

Model No.	Spline nut dimensions												
	Outer diameter		Length		Flange diameter		H	F	C	r	Lubrication hole		Mounting hole
	D	Tolerance	L	Tolerance	D ₁	Tolerance					d ₀	PCD	
LF 6	14	0	25	0	30	0	5	7.5	0.5	0.5	1.5	22	3.4 × 6.5 × 3.3
LF 8	16	-0.011	25		32		5	7.5	0.5	0.5	1.5	24	3.4 × 6.5 × 3.3
LF 10	21	0	33	-0.2	42	0	6	10.5	0.5	0.5	1.5	32	4.5 × 8 × 4.4
LF 13	24		-0.013		36		44	7	11	0.5	0.5	1.5	33
○ LF 16	31	0	50	0	51	-0.2	7	18	0.5	0.5	2	40	4.5 × 8 × 4.4
○ LF 20	35		-0.016		63		58	9	22.5	0.5	0.5	2	45
○ LF 25	42	0	71	0	65	-0.2	9	26.5	0.5	0.5	3	52	5.5 × 9.5 × 5.4
○ LF 30	47		-0.019		80		75	10	30	0.5	0.5	3	60
○ LF 40	64	0	100	-0.3	100	0	14	36	1	0.5	4	82	9 × 14 × 8.6
○ LF 50	80		-0.022		125		124	16	46.5	1	1	4	102
○ LF 60	90	0	140	0	134	-0.4	18	52	1	1	5	112	11 × 17.5 × 11

○: Indicates model numbers for which high temperature types are available (with metal retainer; service temperature: up to 100°C).

(Example) LF30 A CL+700L H

High temperature symbol

Model number coding

2 LF20 UU CM +400L P N

Model No.

Symbol for clearance in the rotational direction²

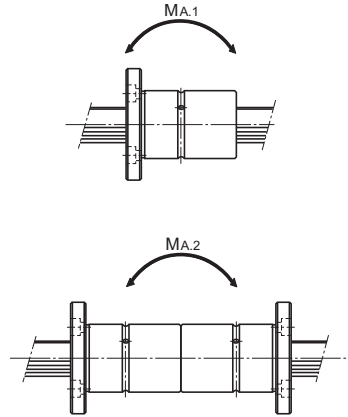
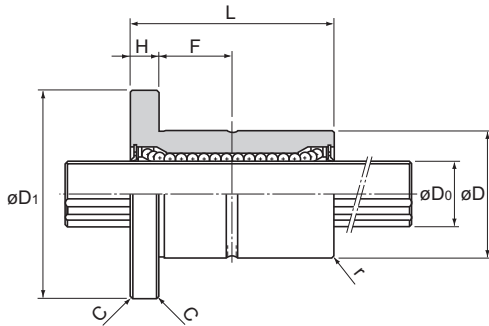
Accuracy symbol³

Symbol for spline shaft⁴

Number of spline nuts on one shaft (no symbol for one nut)

Contamination protection accessory symbol¹

Overall spline shaft length⁵ (in mm)



Unit: mm

Ball Spline

	Spline shaft diameter D_0 h7	Rows of balls	Basic torque rating		Basic load rating		Static permissible moment		Mass	
			C_T N·m	C_{0T} N·m	C kN	C_0 kN	$M_{A,1}^1$ N·m	$M_{A,2}^2$ N·m	Spline nut g	Spline shaft kg/m
	6	4	0.98	1.96	1.18	2.16	4.9	36.3	35	0.23
	8	4	1.96	2.94	1.47	2.55	5.9	44.1	37	0.4
	10	4	3.92	7.84	2.84	4.9	15.7	98	90	0.62
	13	4	5.88	10.8	3.53	5.78	19.6	138	110	1.1
	16	6	31.4	34.3	7.06	12.6	67.6	393	230	1.6
	20	6	56.9	55.9	10.2	17.8	118	700	330	2.5
	25	6	105	103	15.2	25.8	210	1,140	455	3.9
	30	6	171	148	20.5	34	290	1,710	565	5.6
	40	6	419	377	37.8	60.5	687	3,760	1,460	9.9
	50	6	842	769	60.9	94.5	1,340	7,350	2,760	15.5
	60	6	1220	1040	73.5	111.7	1,600	9,990	3,490	22.3