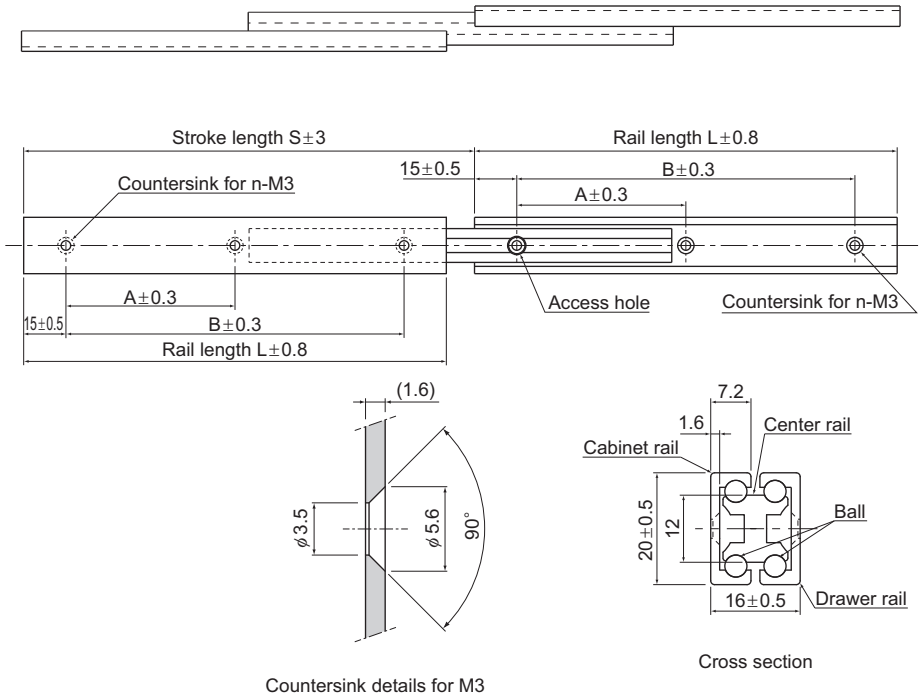


Model D20



Unit: mm

Rail length $L (\pm 0.8)$	Stroke $S (\pm 3)$	Mounting hole dimensions			Permissible load N/pair	Mass [g/pair]
		A ± 0.3	B ± 0.3	n (pcs)		
80	80	50	—	2	20	94
100	100	70	—	2	30	118
150	160	60	120	3	80	179
200	223	85	170	3	140	241
300	345	135	270	3	145	364

Note: The Permissible Load and Mass each indicate when used as a pair of 2 units.

Model number coding

D20 +300L

Model number Overall rail length (mm)