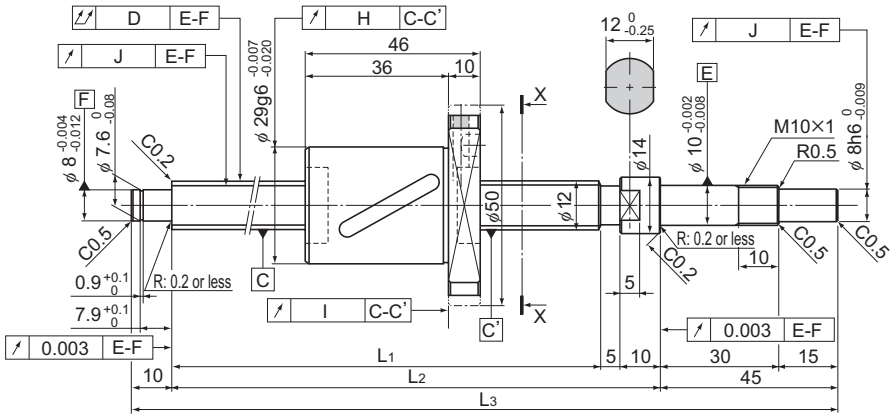
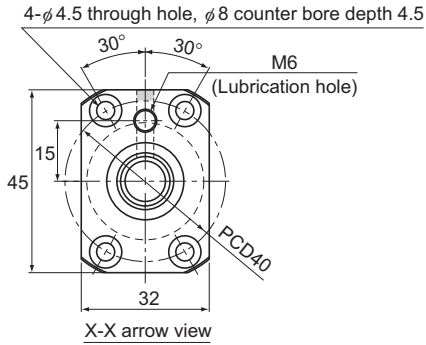


BNK1208-2.6 Shaft Diameter: 12; Lead: 8

DN value	70,000
----------	--------



Model No.	Stroke	Screw shaft length		
		L ₁	L ₂	L ₃
BNK 1208-2.6RRG2+180LC7Y	50	110	125	180
BNK 1208-2.6RRG2+230LC7Y	100	160	175	230
BNK 1208-2.6RRG2+280LC7Y	150	210	225	280
BNK 1208-2.6RRG2+330LC7Y	200	260	275	330
BNK 1208-2.6RRG2+380LC7Y	250	310	325	380



Ball screw specifications	
Lead (mm)	8
BCD (mm)	12.65
Thread minor diameter (mm)	9.7
Threading direction, No. of threaded grooves	Rightward, 1
No. of circuits	2.6 turns \times 1 row
Clearance symbol	G2
Axial clearance (mm)	0.02 or less
Basic dynamic load rating C_a (kN)	4.7
Basic static load rating C_{0a} (kN)	7.5
Preload torque (N·m)	—
Spacer ball	None
Rigidity value (N/ μ m)	127
Circulation method	Return pipe

Unit: mm

	Runout of the screw shaft axis	Runout of the nut circumference	Flange mounting surface runout	Runout of the thread groove surface	Lead angle accuracy	Nut mass	Shaft mass	Permissible rotational speed
	D	H	I	J		kg	kg/m	min ⁻¹
	0.04	0.02	0.014	0.014	Travel distance: \pm 0.05/300	0.27	0.64	3,500
	0.055	0.02	0.014	0.014	Travel distance: \pm 0.05/300	0.27	0.64	3,500
	0.055	0.02	0.014	0.014	Travel distance: \pm 0.05/300	0.27	0.64	3,500
	0.065	0.02	0.014	0.014	Travel distance: \pm 0.05/300	0.27	0.64	3,500
	0.065	0.02	0.014	0.014	Travel distance: \pm 0.05/300	0.27	0.64	3,500