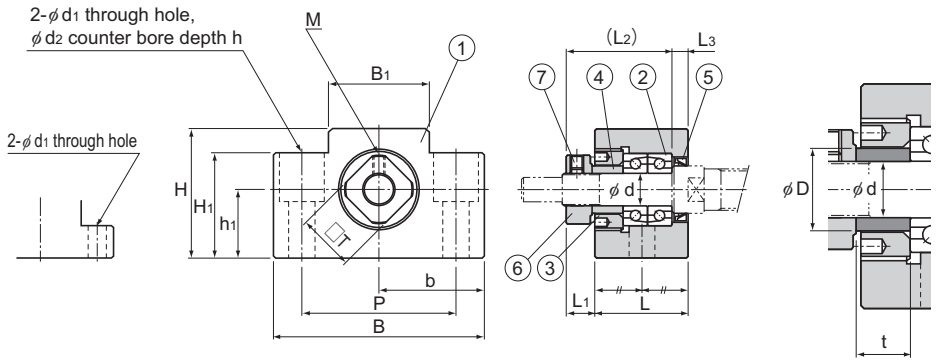


Square Fixed-Side Support Unit Model EK



Models EK 4 and 5

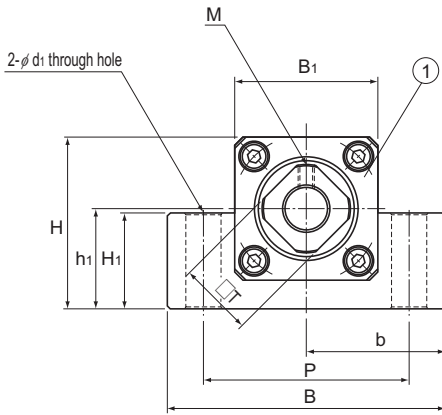
Models EK 6 and 8

Collar details

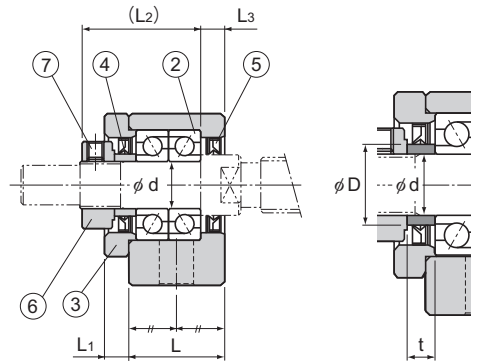
| Model No. | Shaft diameter d | L | L ₁ | L ₂ | L ₃ | B | H | b ±0.02 |
|-----------|---------------------|------|----------------|----------------|----------------|----|----|------------|
| EK 4 | 4 | 15 | 5.5 | 17.5 | 3 | 34 | 19 | 17 |
| EK 5 | 5 | 16.5 | 5.5 | 18.5 | 3.5 | 36 | 21 | 18 |
| EK 6 | 6 | 20 | 5.5 | 22 | 3.5 | 42 | 25 | 21 |
| EK 8 | 8 | 23 | 7 | 26 | 4 | 52 | 32 | 26 |
| EK 10 | 10 | 24 | 6 | 29.5 | 6 | 70 | 43 | 35 |
| EK 12 | 12 | 24 | 6 | 29.5 | 6 | 70 | 43 | 35 |
| EK 15 | 15 | 25 | 6 | 36 | 5 | 80 | 49 | 40 |
| EK 20 | 20 | 42 | 10 | 50 | 10 | 95 | 58 | 47.5 |

Models EK 4 to 8

| Part No. | Part name | No. of units |
|----------|---|--------------|
| 1 | Housing | 1 |
| 2 | Bearing | 1 set |
| 3 | Set nut | 1 |
| 4 | Collar | 2 |
| 5 | Seal | 1 |
| 6 | Lock nut | 1 |
| 7 | Hexagonal socket-head set screw (with a set piece) | 1 |



Models EK 10 to 20



Collar details

Unit: mm

| h_1 ± 0.02 | B_1 | H_1 | P | d_1 | d_2 | h | M | T | D | t | Bearing used | Mass kg |
|---------------------|-------|-------|----|-------|-------|----|------|----|------|-----|-------------------------|------------|
| 10 | 18 | 7 | 26 | 4.5 | — | — | M2.6 | 10 | 6 | 4.5 | 704 equivalent (DF P5) | 0.06 |
| 11 | 20 | 8 | 28 | 4.5 | — | — | M2.6 | 11 | 8 | 5.5 | 705 equivalent (DF P5) | 0.08 |
| 13 | 18 | 20 | 30 | 5.5 | 9.5 | 11 | M3 | 12 | 9.5 | 7 | 706 equivalent (DF P5) | 0.14 |
| 17 | 25 | 26 | 38 | 6.6 | 11 | 12 | M3 | 14 | 11.5 | 7.5 | 798 equivalent (DF P5) | 0.24 |
| 25 | 36 | 24 | 52 | 9 | — | — | M3 | 16 | 13.9 | 5.5 | 7000 equivalent (DF P5) | 0.46 |
| 25 | 36 | 24 | 52 | 9 | — | — | M3 | 19 | 14.9 | 5.5 | 7001 equivalent (DF P5) | 0.44 |
| 30 | 41 | 25 | 60 | 11 | — | — | M3 | 22 | 19.5 | 10 | 7002 equivalent (DF P5) | 0.55 |
| 30 | 56 | 25 | 75 | 11 | — | — | M4 | 30 | 25 | 11 | 7204 equivalent (DF P5) | 1.35 |

Models EK 10 to 20

| Part No. | Part name | No. of units |
|----------|---|--------------|
| 1 | Housing | 1 |
| 2 | Bearing | 1 set |
| 3 | Holding lid | 1 |
| 4 | Collar | 2 |
| 5 | Seal | 2 |
| 6 | Lock nut | 1 |
| 7 | Hexagonal socket-head set screw (with a set piece) | 1 |